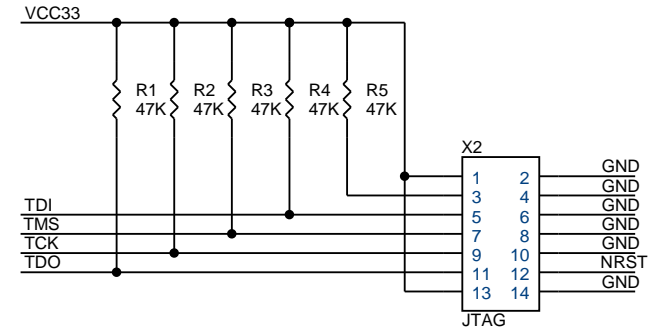
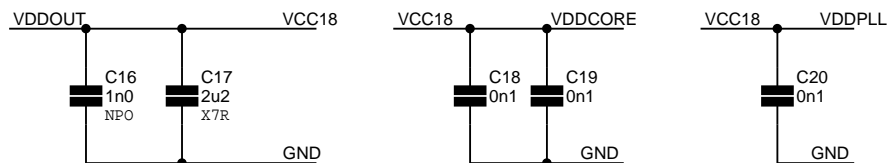
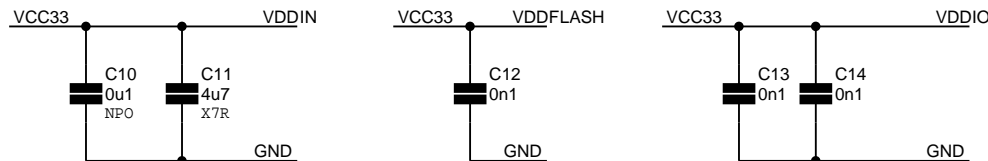
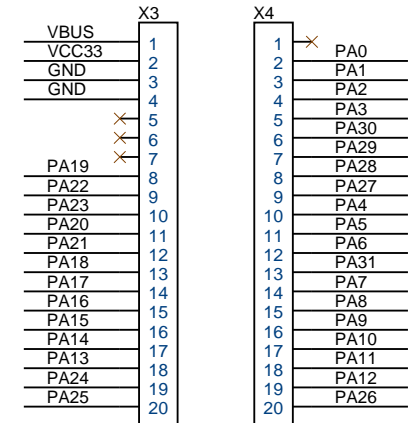


JTAG 14 pinout:
http://www.segger.com/jlink_adapters.html#14pin



TST	40	TST	PA0/PGMEN0	48	PA0
NRST	39	NRST	PA1/PGMEN1	47	PA1
	55	ERASE	PA2/PGMEN2	44	PA2
JTAGSEL	50	JTAGSEL	PA3	43	PA3
TCK	53	TCK	PA4/PGMNCMD	36	PA4
TDI	33	TDI	PA5/PGMRDY	35	PA5
TDO	49	TDO	PA6/PGMNOE	34	PA6
TMS	51	TMS	PA7/PGMNVLD	32	PA7
USB_DM	56	DDM	PA8/PGMM0	31	PA8
USB_DP	57	DDP	PA9/PGMM1	30	PA9
PLLRC	63	PLLRC	PA10/PGMM2	29	PA10
XIN	62	XIN/PGMCK	PA11/PGMM3	28	PA11
XOUT	61	XOUT	PA12/PGMD0	27	PA12
VDDIN	7	VDDIN	PA13/PGMD1	22	PA13
VDDFLASH	59	VDDFLASH	PA14/PGMD2	21	PA14
VDDIO	18	VDDIO	PA15/PGMD3	20	PA15
VDDIO	45	VDDIO	PA16/PGMD4	19	PA16
VDDIO	58	VDDIO	PA17/PGMD5/AD0	9	PA17
VDDOUT	8	VDDOUT	PA18/PGMD6/AD1	10	PA18
VDDPLL	64	VDDPLL	PA19/PGMD7/AD2	13	PA19
VDDCORE	12	VDDCORE	PA20/PGMD8/AD3	16	PA20
VDDCORE	24	VDDCORE	PA21/PGMD9	11	PA21
VDDCORE	54	VDDCORE	PA22/PGMD10	14	PA22
GND	2	GND	PA23/PGMD11	15	PA23
GND	17	GND	PA24/PGMD12	23	PA24
GND	46	GND	PA25/PGMD13	25	PA25
GND	60	GND	PA26/PGMD14	26	PA26
			PA27/PGMD15	37	PA27
			PA28	38	PA28
			PA29	41	PA29
			PA30	42	PA30
			PA31	52	PA31
			ADVREF	1	VCC33
			AD4	3	
			AD5	4	
			AD6	5	
			AD7	6	

AT91SAM7S64



Title			<Title>
Size	Document Number	Rev	<RevC>
A4	<Doc>		
Date:	Monday, March 13, 2006	Sheet	1 of 1
2		1	